

## READ AND SAVE THESE INSTRUCTIONS

### INSTRUCTION SHEET WARNING

TO REDUCE THE RISK OF FIRE, ELECTRICAL SHOCK OR INJURY TO PERSONS OBSERVE THE FOLLOWING:

- \* USE THIS UNIT ONLY IN THE MANNER INTENDED BY THE MANUFACTURER. IF YOU HAVE QUESTIONS, CONTACT THE MANUFACTURER.
- \* BEFORE SERVICING OR CLEANING THIS UNIT, SWITCH POWER OFF AT SERVICE PANEL AND LOCK SERVICE PANEL TO PREVENT POWER FROM BEING SWITCHED ON ACCIDENTALLY. IF THE SERVICE PANEL CANNOT BE LOCKED, FASTEN A PROMINENT WARNING DEVICE TO THE SERVICE PANEL (SUCH AS A TAG).
- \* INSTALLATION AND ALL ELECTRICAL WIRING MUST BE DONE BY QUALIFIED PERSON(S) IN ACCORDANCE WITH ALL APPLICABLE CODES AND STANDARDS, INCLUDING FIRE-RATED CONSTRUCTION CODES AND STANDARDS.
- \* DO NOT USE THIS FAN WITH ANY SOLID-STATE SPEED CONTROL DEVICE.
- \* WHEN CUTTING OR DRILLING INTO A WALL OR CEILING, DO NOT DAMAGE ELECTRICAL WIRING OR OTHER HIDDEN UTILITIES.
- \* DUCTED FANS MUST ALWAYS BE VENTED TO OUTDOORS.
- \* NEVER INSTALL OR PLACE A SWITCH WHERE IT CAN BE REACHED FROM A TUB OR SHOWER.
- \* NOT FOR USE IN KITCHENS.
- \* NOT FOR USE WITH HEATING EQUIPMENT, FUEL BURNING EQUIPMENT OR IN CHIMNEYS.
- \* THIS UNIT MUST BE GROUNDED.
- \* KEEP DRYWALL SPRAY AND CONSTRUCTION DIRT OFF MOTOR ASSEMBLY TO AVOID BEARING DAMAGE AND/OR UNBALANCED IMPELLARS.

### ONE YEAR LIMITED WARRANTY

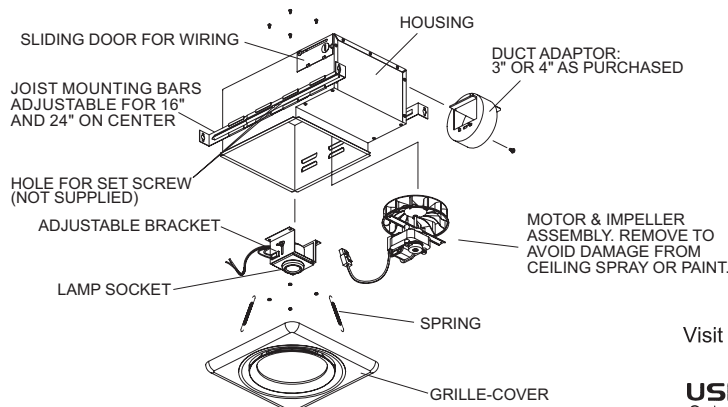
**USI ELECTRIC, INC. ("USI") WARRANTS YOUR USI PRODUCT TO BE FREE FROM DEFECTS IN MATERIAL AND WORKMANSHIP FOR A PERIOD OF TWELVE (12) MONTHS FROM THE DATE OF PURCHASE.** THIS WARRANTY APPLIES ONLY TO THE ORIGINAL CONSUMER PURCHASER AND ONLY TO PRODUCTS USED IN NORMAL RESIDENTIAL USE AND SERVICE. IF THIS PRODUCT IS FOUND TO BE DEFECTIVE, USI'S ONLY OBLIGATION, AND YOUR EXCLUSIVE REMEDY, IS THE REPAIR OR REPLACEMENT OF THE PRODUCT, AT USI'S DISCRETION, PROVIDED THAT THE PRODUCT HAS NOT BEEN DAMAGED THROUGH MISUSE, ABUSE, ACCIDENT, MODIFICATIONS, ALTERATION, NEGLIGENCE OR MISHANDLING. THIS WARRANTY SHALL NOT APPLY TO ANY PRODUCT WHICH IS FOUND TO HAVE BEEN IMPROPERLY INSTALLED, SET-UP, OR USED IN ANY WAY NOT IN ACCORDANCE WITH THE INSTRUCTIONS SUPPLIED WITH THE PRODUCT. THIS WARRANTY SHALL NOT APPLY TO ANY LAMPS OR BULBS USED IN THE PRODUCT OR TO ANY DAMAGE WHICH MAY BE CAUSED BY SUCH LAMPS OR BULBS. FOR REPAIR OR REPLACEMENT, CONTACT THE FOLLOWING ADDRESS: USI ELECTRIC, INC. AT 11407 CRONHILL DRIVE, SUITE A, OWINGS MILLS, MARYLAND 21117, DURING NORMAL WORKING HOURS. PROVIDE THE MODEL NUMBER OF THE PRODUCT, DATE OF INSTALLATION AND STATE THE NATURE OF THE DIFFICULTY BEING EXPERIENCED. ANY AND ALL PRODUCT RETURNS MUST BE APPROVED BY THE ABOVE SHOWN ADDRESS WHEREBY A RETURN AUTHORIZATION NUMBER WILL BE ISSUED. FREIGHT MUST BE PREPAID TO THIS DESTINATION. NO COD SHIPMENTS ARE ACCEPTED.

TO ENSURE SAFE OPERATION:

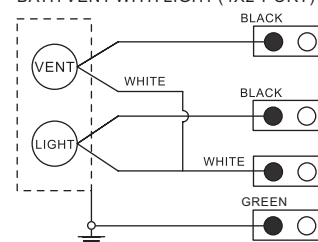
- \* BE SURE UNIT IS CORRECTLY INSTALLED AND WIRED BY A QUALIFIED INSTALLER IN ACCORDANCE WITH THE INSTRUCTIONS AND APPLICABLE NEC OR EQUIVALENT CODES.
- \* BE SURE OPERATING INSTRUCTIONS ARE FOLLOWED AND THAT MOVING AND HEATING PARTS ARE KEPT CLEAN AND FREE FROM OBSTRUCTIONS.
- \* ANY WARRANTIES GRANTED OR LIABILITIES ASSUMED HEREUNDER WILL NOT APPLY TO GOODS THAT HAVE BEEN DAMAGED IN TRANSIT, ALTERED, REPAIRED, INSTALLED OR OPERATED OTHERWISE THAN IN CONFORMITY WITH THE ABOVE REQUIREMENTS FOR SAFE OPERATION.

**USI DOES NOT WARRANT AND SPECIFICALLY DISCLAIMS ANY WARRANTY, WHETHER EXPRESS OR IMPLIED, OF FITNESS FOR A PARTICULAR PURPOSE, OTHER THAN THE WARRANTY CONTAINED HEREIN. NO IMPLIED WARRANTY ON THIS PRODUCT, CREATED BY STATE LAW, SHALL EXTEND BEYOND THE TERM OF THIS WARRANTY UNLESS SUCH LAW OTHERWISE PROVIDES. USI SPECIFICALLY DISCLAIMS ANY LIABILITY AND SHALL NOT BE LIABLE FOR ANY CONSEQUENTIAL OR INCIDENTAL LOSS OR DAMAGE, INCLUDING, BUT NOT LIMITED TO, DAMAGES TO ANY EQUIPMENT WITH WHICH THIS PRODUCT IS USED.**

#### BF-704HB HEAT BULB VENT



#### PUSH-IN WIRE CONNECTOR WIRING DIAGRAM BATH VENT WITH LIGHT (4X2-PORT)



Visit Us on the Web! [www.usielectric.com](http://www.usielectric.com)

**USI ELECTRIC, INC.**  
Owings Mills, Maryland 21117 USA

