



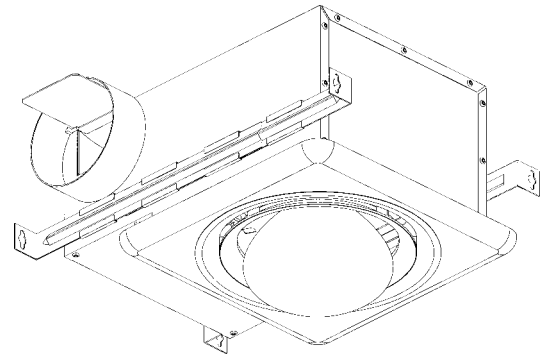
*USIELECTRIC, INC. brings over four decades of manufacturing expertise to a full line of safety products designed for the electrical industry.*



## Ventilation Products

### Model BFR-704L Bathroom Downlight Ventilator (Recessed) with Light

- 70 CFM Performance
- 2.0 Sones
- 4" Duct Adaptor with Built-In Damper
- Coverage 65 - 85 sq. ft.
- PAR 30/R30/BR30 Lamp Suggested
- 100 Watt Lamp Maximum (not included)
- Adjustable Hanger Bars for Quick Installation
- Galvanized Housing Resists Humid Conditions and Changing Attic Temperatures
- Quick Mount Hanger Bars
- Permanently Lubricated Enclosed Motor
- Squirrel Cage-Type Blower
- Precision Balanced Blade
- White Trim Matches Any Decor
- Uses a 250 Watt BR40 Infrared Lamp (not included)
- Independently Tested for CFM and Noise Levels



BFR-704L					
	Size	Weight		Cube	UPC #
	inches	lbs.	kg.		
Master Carton (1 pc)	14.57 X 8.46 X 6.89	8.6	3.9	.75 Ft. <sup>3</sup>	0-42741-70402-1

#### USI ELECTRIC, INC.

11407 CRONHILL DRIVE, SUITE A  
OWINGS MILLS, MARYLAND 21117 USA

TELEPHONE: 800-390-4321 • FAX: 410-363-2218 • E-MAIL: sales@usielectric.com

Visit Us on the Web! [www.usielectric.com](http://www.usielectric.com)