



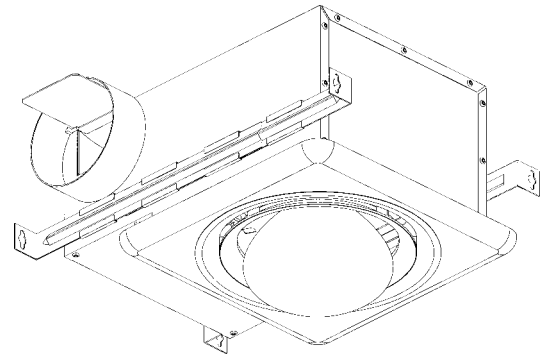
USIELECTRIC, INC. brings over four decades of manufacturing expertise to a full line of safety products designed for the electrical industry.



Ventilation Products

Model BF-704HB Bath Fan with Heat Bulb

- 70 CFM Performance
- 3.5 Sones
- 4" Duct Adaptor with Built-In Damper
- Galvanized Housing Resists Humid Conditions and Changing Attic Temperatures
- Housing has Ceiling/Wall Thickness Indicator Markings and Built-In Mounting Tabs for Quick and Easy Installation
- Permanently Lubricated Plug-In Motor for Quick Activation
- Precision Balanced Blade
- Molded Grille with Spring Clips for Smooth Fit Against Ceiling
- Built-in Junction Box
- Adjustable Hanger Bar Brackets Span up to 24"
- Dishwasher Safe Grille
- Uses a 250 Watt BR40 Infrared Lamp (not included)
- Independently Tested for CFM and Noise Levels



| BF-704HB | | | | | |
|-----------------------|-----------------------|---------------|------------|----------------------|--------------------|
| | Size | Weight | | Cube | UPC # |
| | inches | lbs. | kg. | | |
| Inner Carton | 13.78 x 10.15 x 6.6 | 7.3 | 3.3 | ----- | 0-42741-70436-6 |
| Master Carton (6 pcs) | 20.95 x 14.25 x 20.95 | 11.9 | 5.4 | .93 Ft. ³ | 1-00-42741-70416-8 |

USI ELECTRIC, INC.
 11407 CRONHILL DRIVE, SUITE A
 OWINGS MILLS, MARYLAND 21117 USA
 TELEPHONE: 800-390-4321 • FAX: 410-363-2218 • E-MAIL: sales@usielectric.com
 Visit Us on the Web! www.usielectric.com